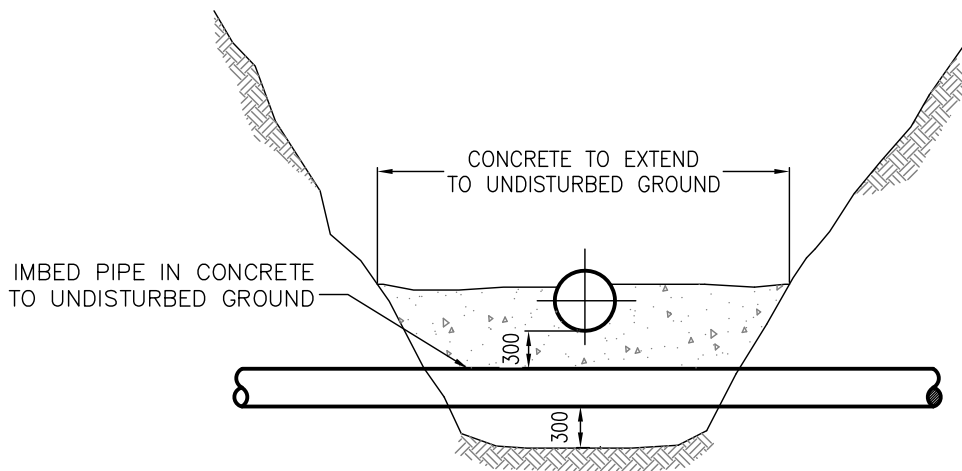


WATERMAIN VERTICAL OFFSET AROUND SEWER MAINS

N.T.S.



TYPICAL LINE CROSSING DETAIL

N.T.S.

NOTES:

1. MINIMUM WIDTH OF CONCRETE TO BE DIAMETER OF LARGEST PIPE + 300
2. ALL DIMENSIONS ARE IN MILLIMETRES
3. d = PIPE DIAMETER
4. ALL CONCRETE TO BE 20 MPa @ 28 DAYS.
5. SHOULD THE SEPARATION BETWEEN PIPES BE GREATER THAN 300, PIPE BEDDING COMPACTED TO 98% S.P.D. WILL BE REQUIRED.
6. RESTRAINT JOINTS TO BE USED TO TIE THE BENDS TOGETHER PRIOR TO POURING CONCRETE.



Engineering
Department

TYPICAL WATER & SEWER
LINE CROSSING DETAILS

DATE: JANUARY 2007

STD DWG

A2.3