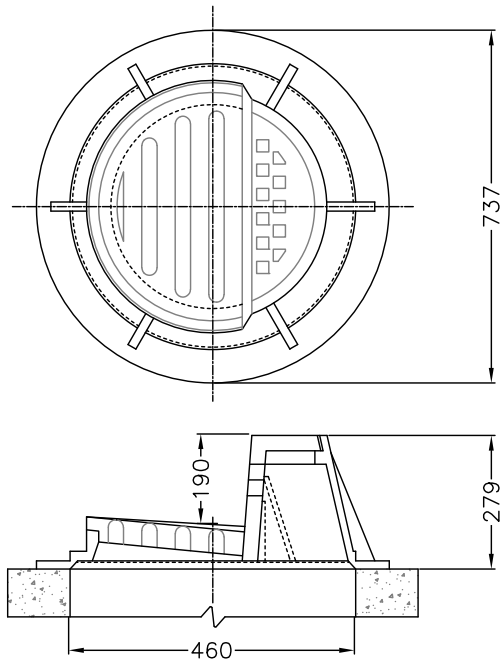


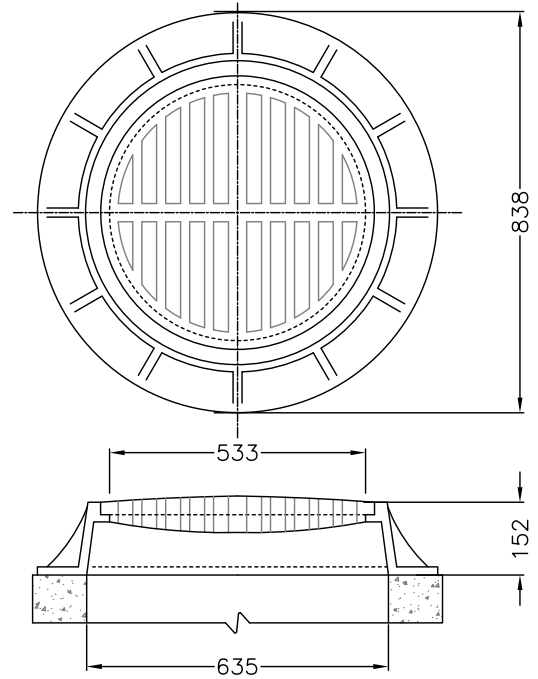
NO. 1 SIDE INLET CATCH BASIN FRAME & COVER

TYPE F-36 NORWOOD FOUNDRY  
TYPE TF-36BP/TF-36A BP TROJAN FOUNDRY



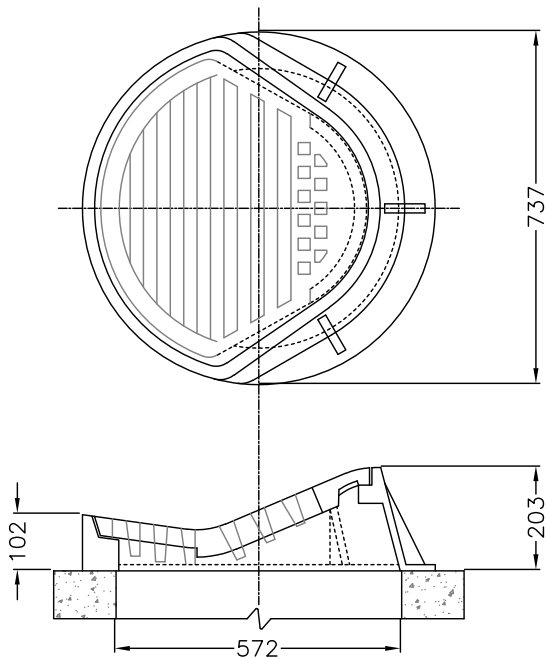
NO. 3 ROUND TOP CATCH BASIN OR MANHOLE FRAME & COVER

TYPE F-39 NORWOOD FOUNDRY  
TYPE TF-39 TROJAN FOUNDRY



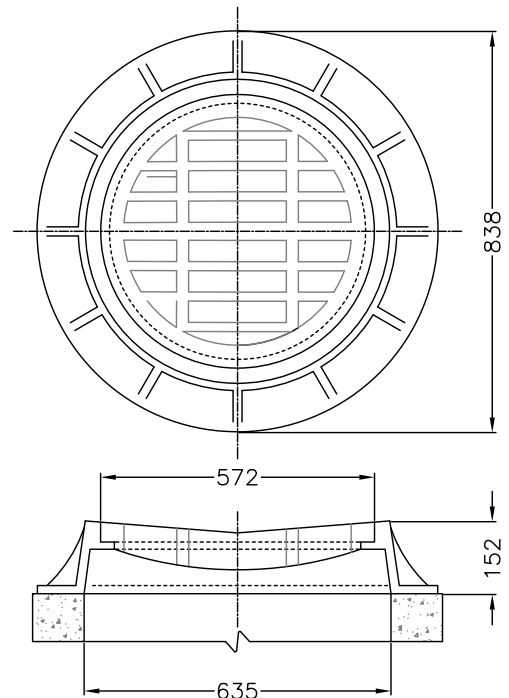
NO. 2 CATCH BASIN FRAME & COVER FOR ROLLED CURB & GUTTER

TYPE F-33 NORWOOD FOUNDRY  
TYPE TF-33 TROJAN FOUNDRY



NO. 4 LANE PAVING CATCH BASIN MANHOLE FRAME & COVER

TYPE F-38 NORWOOD FOUNDRY  
TYPE TF-38 TROJAN FOUNDRY



NOTES

1. ALL DIMENSIONS IN MILLIMETRES UNLESS NOTED OTHERWISE