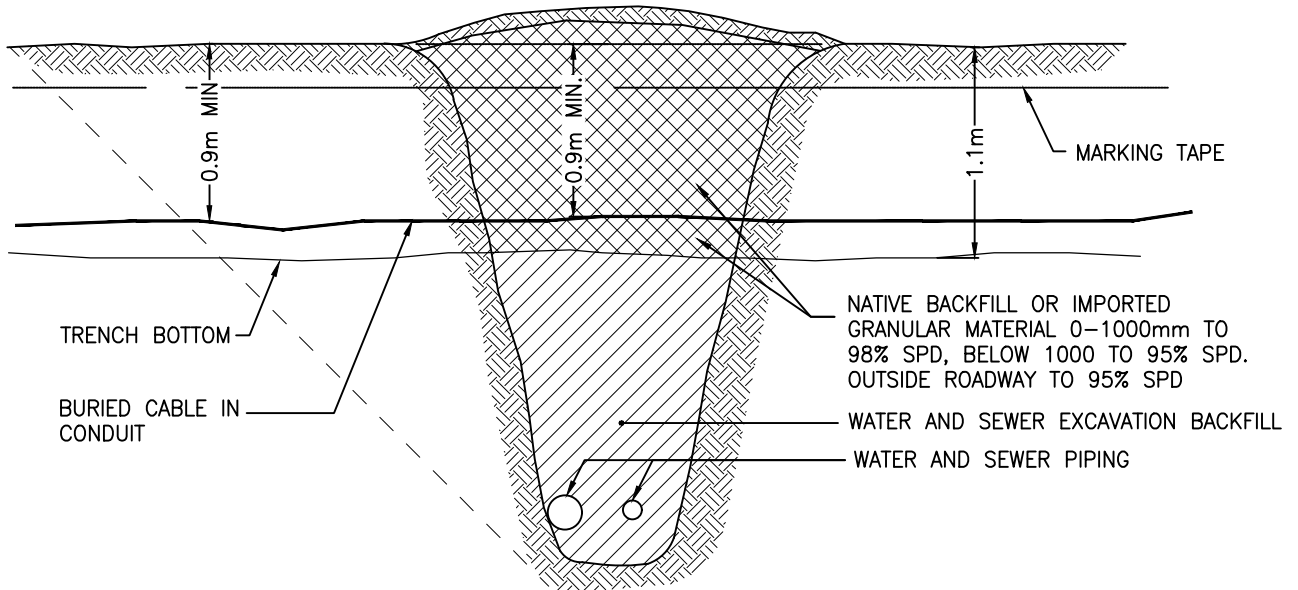


BURIED CABLE SPECIFICATIONS AND TRENCH DETAILS



CABLE PROFILE OUTLINE FOR CROSSING SERVICE EXCAVATIONS

NOTES:

1. ADOPTED FROM ATCO STANDARD DETAIL.
2. PIPE CROSSING UNDER ATCO DUCTS REQUIRE ONE WEEK NOTICE TO ATCO. WORK TO BE DONE UNDER ATCO DIRECTION



Engineering Department

UNDERGROUND SERVICE CROSSING OF CABLE TRENCH DETAILS

DATE: JANUARY 2007

STD DWG

A7.0