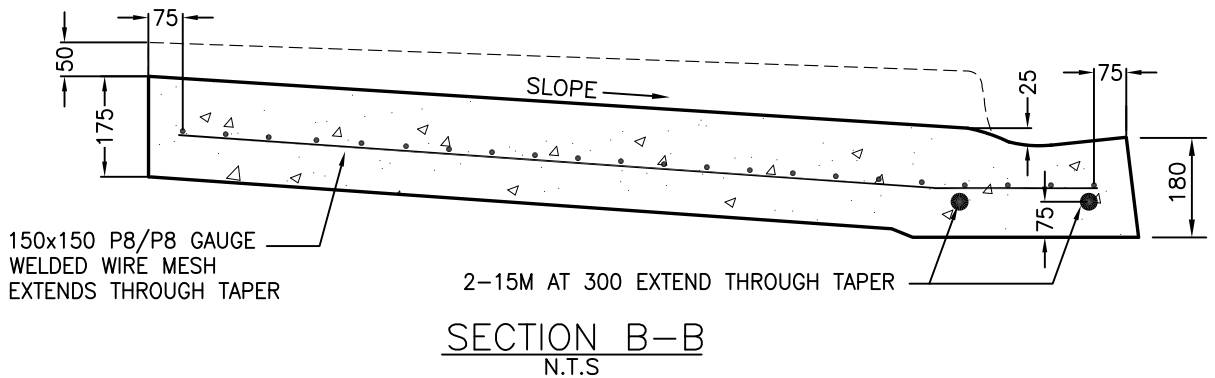
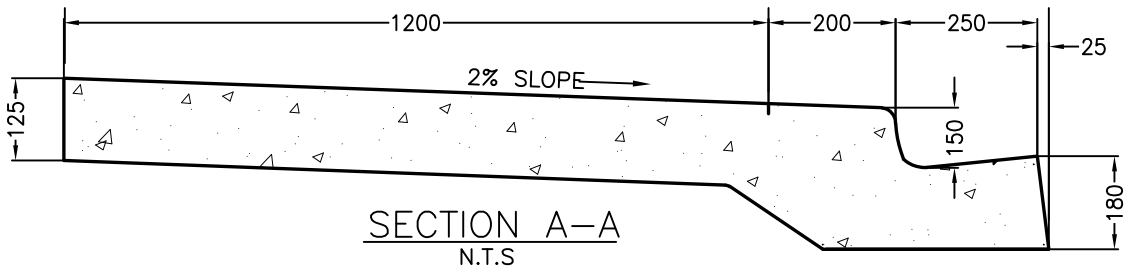
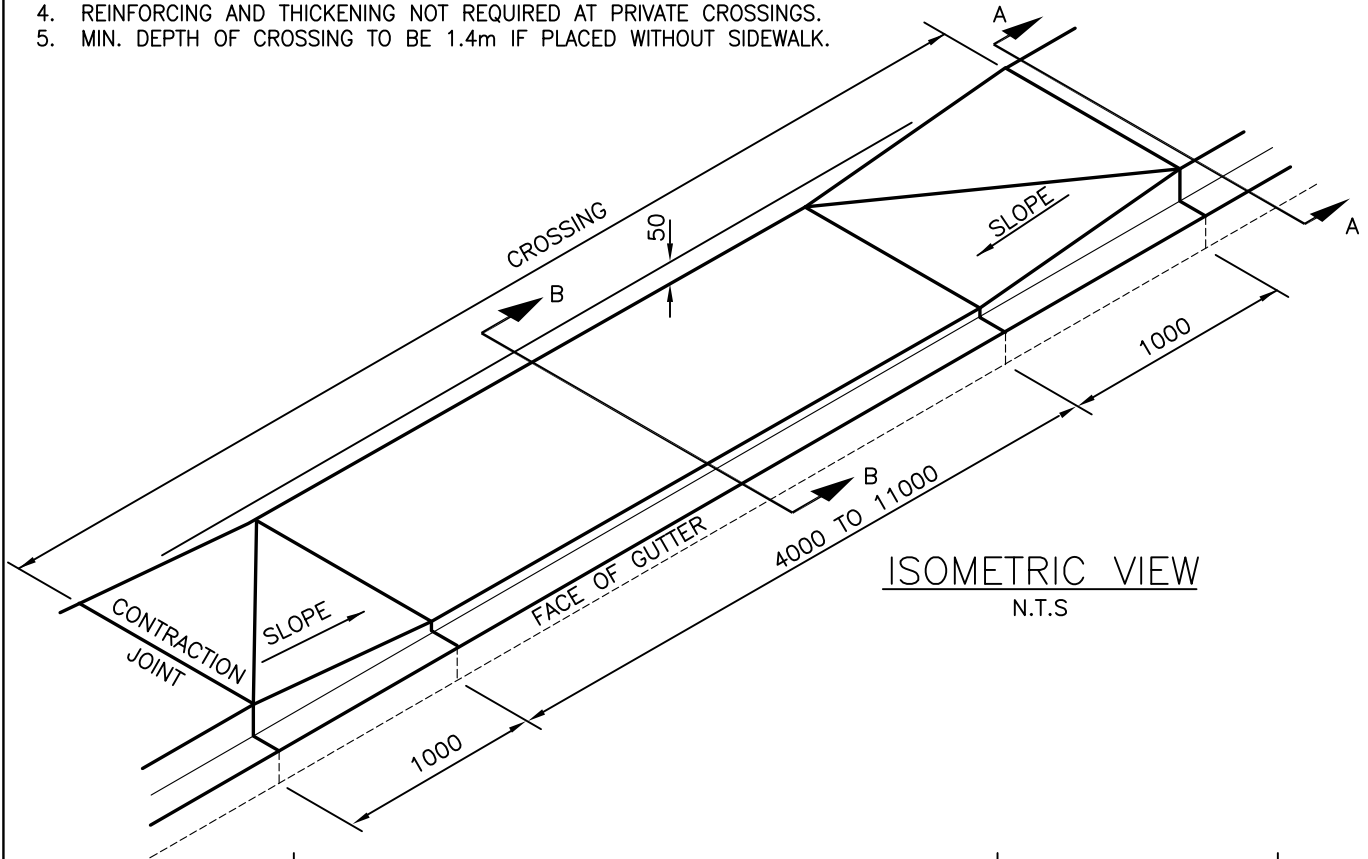



NOTES:

1. MAINTAIN THICKENED DEPTH THROUGHOUT.
2. ALL DIMENSIONS ARE IN MILLIMETRES.
3. DROP BACK OF CROSSING 50mm FOR WIDTH OF CROSSING.
4. REINFORCING AND THICKENING NOT REQUIRED AT PRIVATE CROSSINGS.
5. MIN. DEPTH OF CROSSING TO BE 1.4m IF PLACED WITHOUT SIDEWALK.



 Engineering Department	150mm BARRIER MONOLITHIC CROSSING DETAILS COMMERCIAL, LANE & PRIVATE CROSSINGS	STD DWG
	DATE: MAY 2009	B4.1