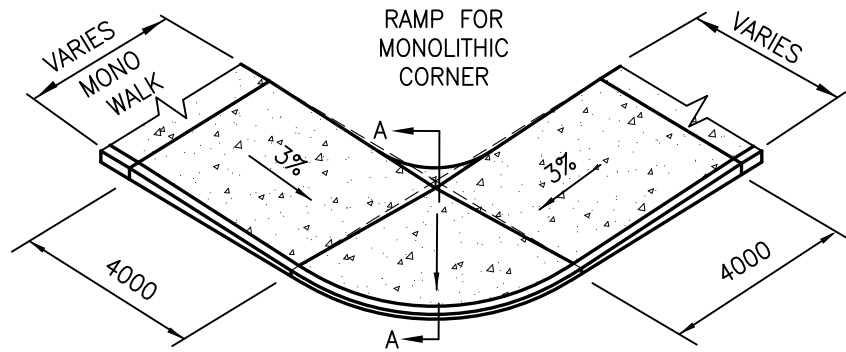


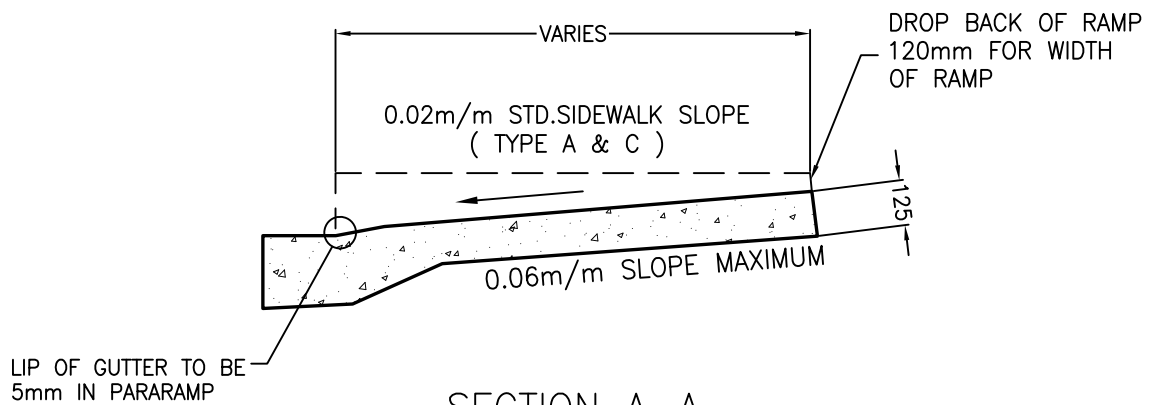
TYPE C

N.T.S.



TYPE A

N.T.S.



SECTION A-A

NOTES:

1. CURBS AND RAMPS TO BE POURED MONOLITHICALLY.
2. CONSTRUCTION JOINT REQUIRED AT EACH SIDE OF RAMP.
3. ALL DIMENSIONS ARE IN MILLIMETERS UNLESS OTHERWISE NOTED



Engineering  
Department

WHEELCHAIR/BIKE RAMP DETAILS

DATE: JUNE 2015

STD DWG

B6.1a