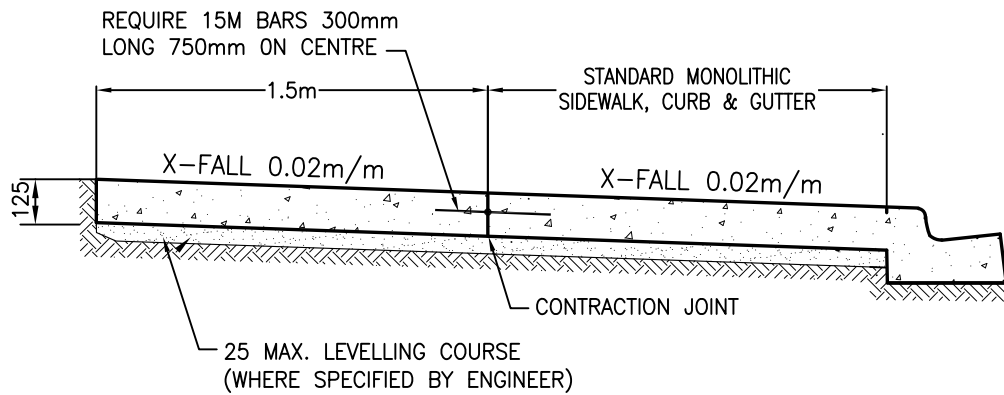


PLAN VIEW  
N.T.S.



SECTION A-A  
N.T.S.

NOTE:

1. ALL DIMENSIONS IN MILLIMETRES UNLESS OTHERWISE NOTED



TRANSIT SHELTER PAD – MONO WALK

DATE: JANUARY 2007

STD DWG

B8.2