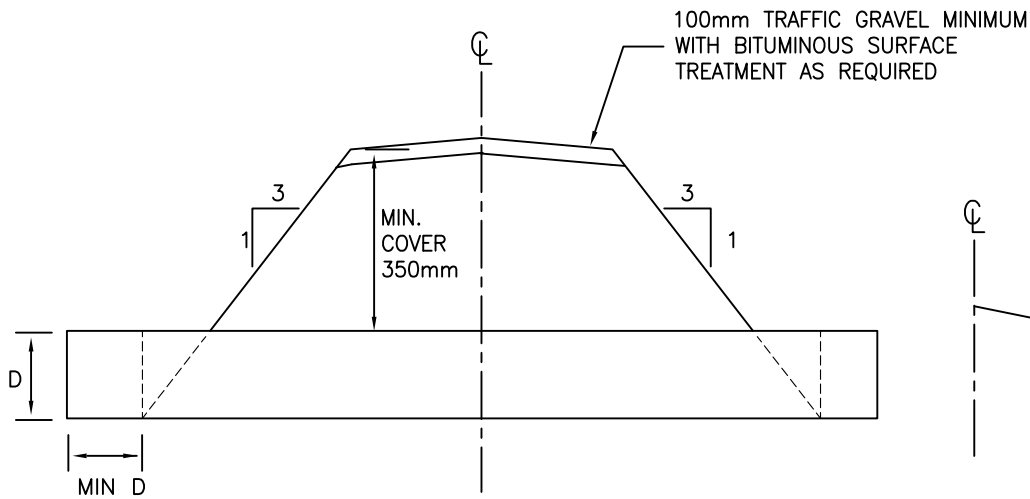
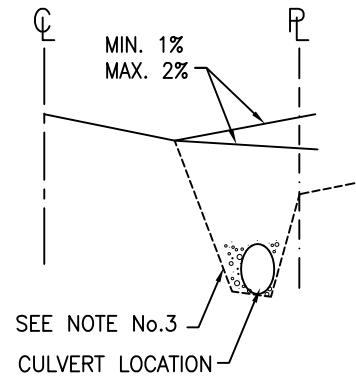


PLAN
N.T.S



SECTION A-A
N.T.S



SECTION B-B
N.T.S

NOTES:

1. CULVERT MINIMUM DIAMETER 400mm C.S.P., MINIMUM LENGTH 9.0m
2. MINIMUM COVER 350mm (OR AS SPECIFIED BY MANUFACTURER).
3. SEE SPECIFICATION FOR COMPACTION AND BEDDING REQUIREMENTS
4. CROSSING PERMIT REQUIRED FOR ACCESS CONSTRUCTION
5. CULVERT CONSTRUCTION TO COMPLY WITH "SPECIFICATIONS FOR CORRUGATED STEEL PIPE CROSSINGS"
6. RIPRAP AS PER STD. DWG. D3.1



RURAL LOCAL ACCESS

DATE: JANUARY, 2020

STD DWG

C11.0