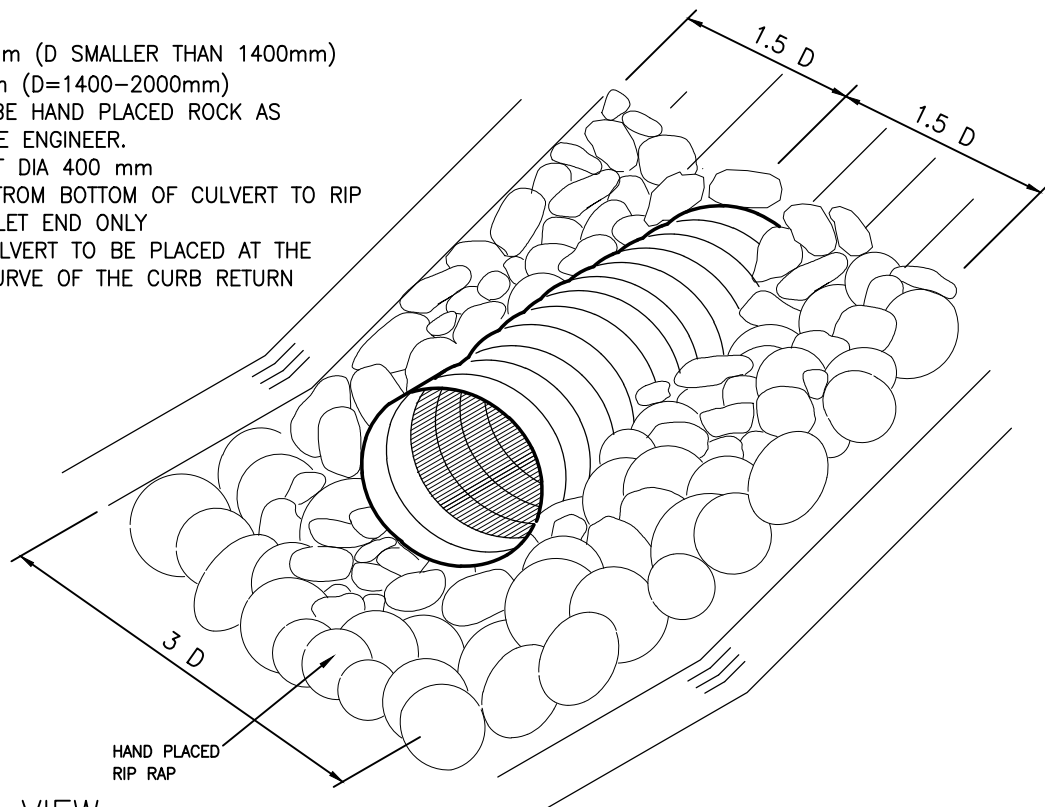
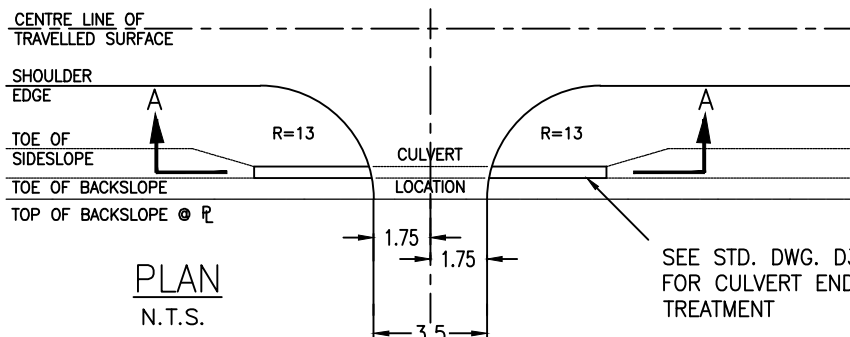


NOTES:

1. THICKNESS 300mm (D SMALLER THAN 1400mm)
THICKENS 600mm (D=1400-2000mm)
2. RIP RAP SHALL BE HAND PLACED ROCK AS SPECIFIED BY THE ENGINEER.
3. MINIMUM CULVERT DIA 400 mm
4. 100 mm DROP FROM BOTTOM OF CULVERT TO RIP RAP IS FOR OUTLET END ONLY
5. PLAN VIEW - CULVERT TO BE PLACED AT THE BEGINNING OF CURVE OF THE CURB RETURN



ISOMETRIC VIEW
CULVERT INLET AND OUTLET



**TYPICAL CULVERT INSTALLATION WITH
RIP RAP END TREATMENT**

DATE: OCTOBER, 2020

STD DWG

D3.1