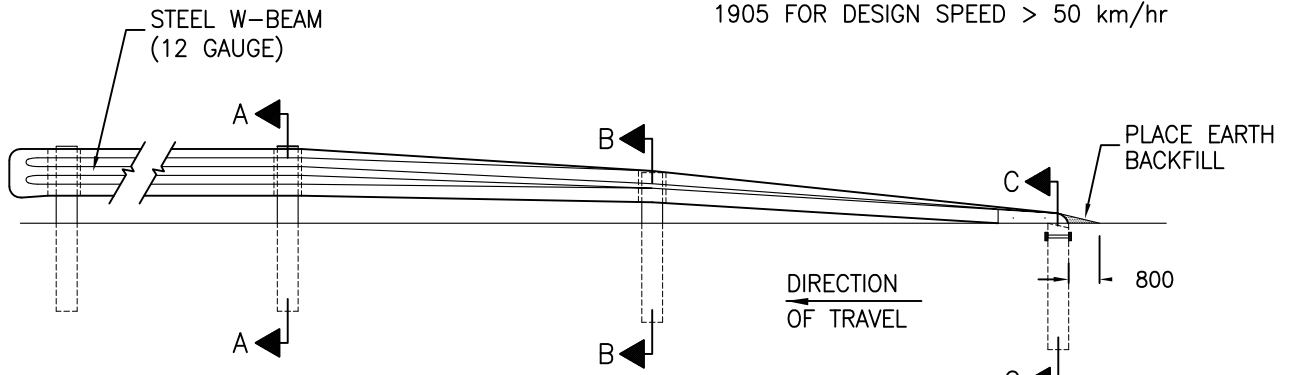
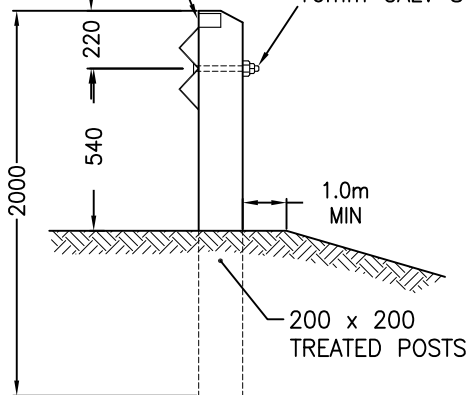


STD. POST
 SPACING = 3810 FOR DESIGN SPEED < 50 km/hr =
 1905 FOR DESIGN SPEED > 50 km/hr

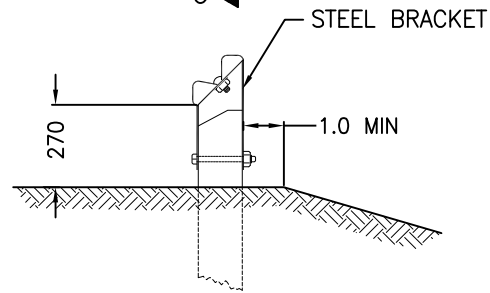


40 x 300 SCOTCHLITE STRIP NAILED AROUND FRONT AND SIDES OF EVERY THIRD POST

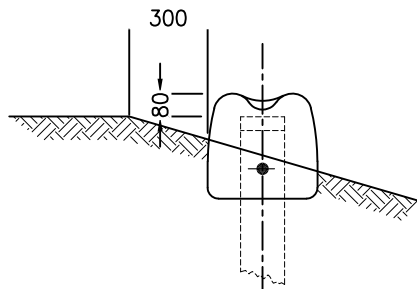
16mm GALV STEEL WASHER
 16mm GALV STEEL BOLT
 16mm GALV STEEL NUT



SECTION A-A



SECTION B-B



SECTION C-C

NOTES:

1. OVERLAPS TO BE MADE IN THE DIRECTION OF TRAFFIC
2. ALL DIMENSIONS ARE IN MILLIMETRES UNLESS OTHERWISE NOTED



Engineering Department

TYPICAL GUIDE RAIL DETAILS FOR HIGH SPEED TRAFFIC INSTALLATIONS

DATE: JANUARY 2007

STD DWG

E1.2