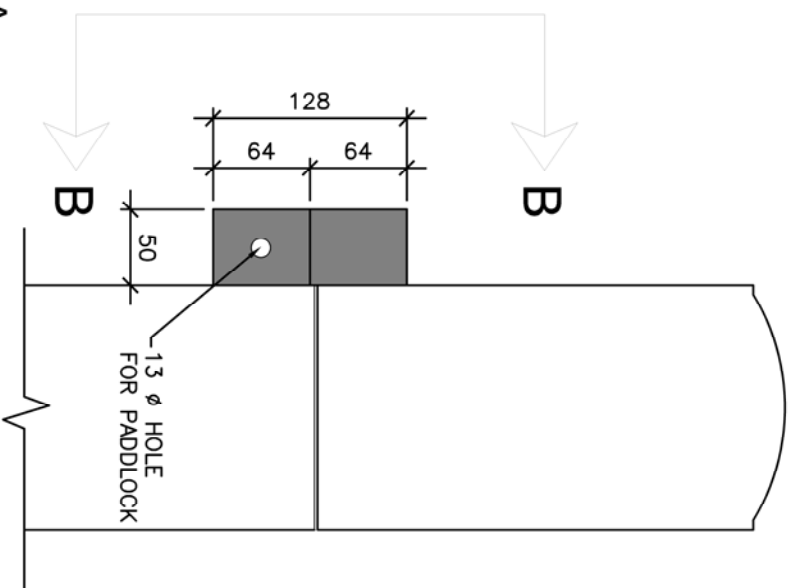
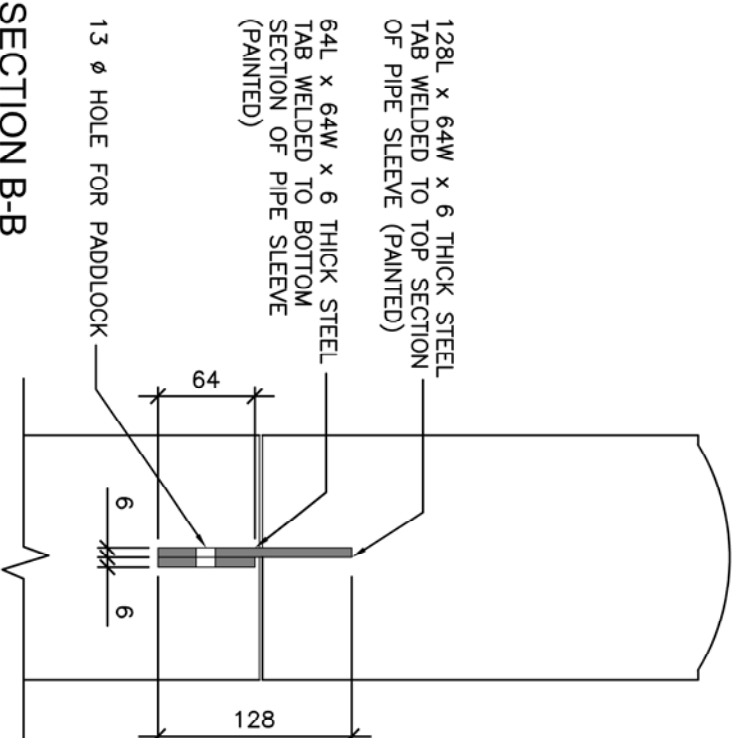


TYPICAL SWING GATE DETAIL
SCALE 1:20

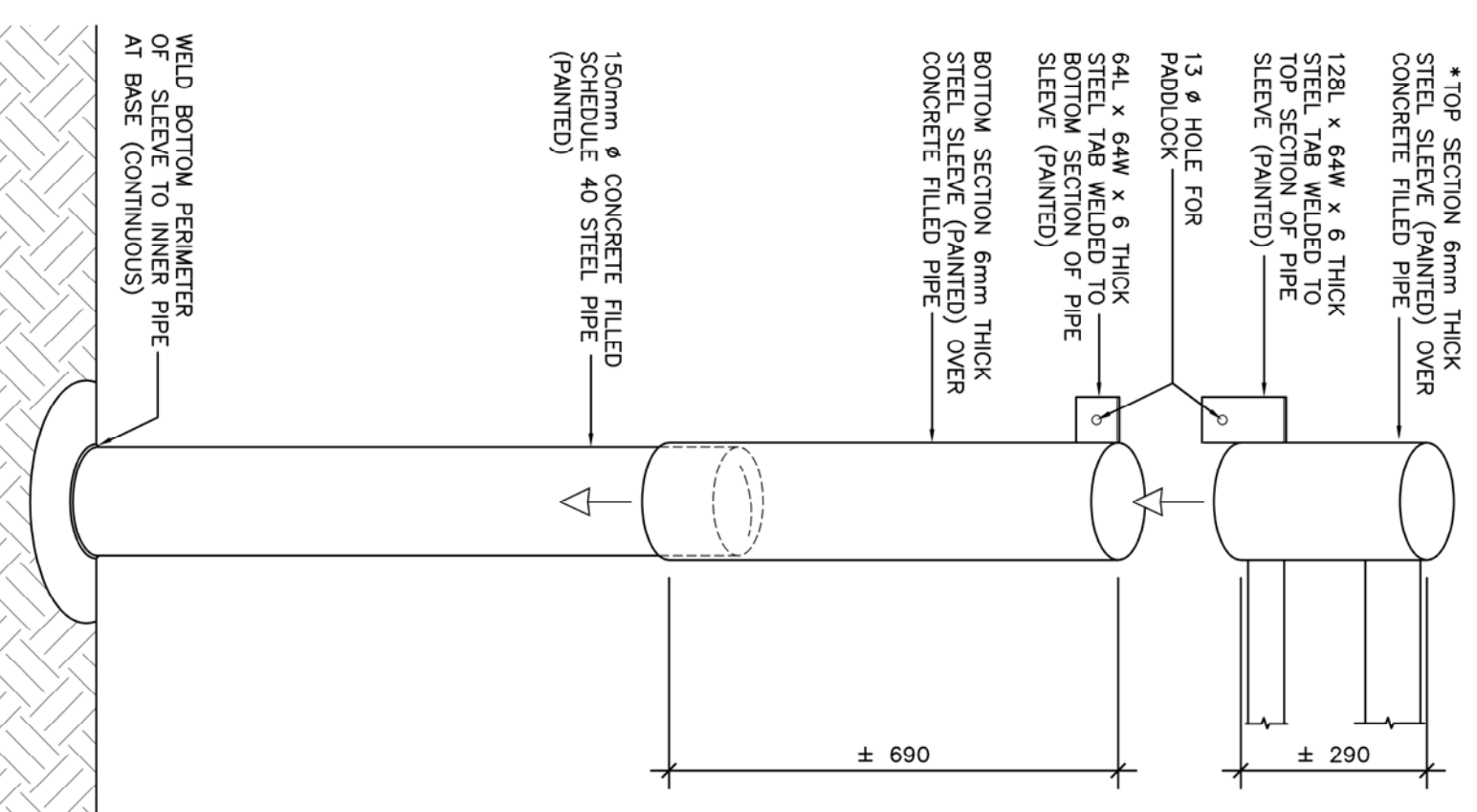
DETAIL A
SCALE 1:5



SECTION B-B
SCALE 1:5



SLEEVE ASSEMBLY DETAIL
SCALE 1:10



REFER TO STD DWG F1.0 FOR BASE DRAWINGS



TYPICAL SWING GATE DETAIL

DATE: JULY 2019

STD DWG

E1.4